



Control Cabinet K1-VHR-10M-D



The K1-VHR-10M-D control cabinet serves for installing the VHR-10M evaluation unit and connecting two sensors in the speed monitoring and evaluation system of two (even mutually independent) machines in production processes. The control cabinet is usually placed near the machines (sensors).

Description

The whole evaluation system is installed in a RITTAL type control cabinet and the K1-VHR-10M-D control cabinet in the AE1033.500 control cabinet.

The K1-VHR-10M-D control cabinet contains a VHR-10M evaluation unit for monitoring and evaluating the speed, frequency or time between impulses from the connected sensors according to the set thresholds, e.g. in the system of conveyor monitoring.

Technical parameters:

| | |
|-----------------------------------------|------------------------------------------------|
| Operating voltage | 1+PE+N 230 V, 50 Hz |
| | 2 bushings M25 x 1.5 Ip68 |
| Protection according to CSN 332000-4-41 | By self-actuated disconnection from the source |
| Distribution system | TN-S |
| Short-circuit protection | By protection |
| Protection | IP66/20 |
| Operation | By trained workers |
| Weight | 9 kg |
| Dimensions | 300x300x155 |
| Protection against atmospheric faults | By earth |
| Ambient temperature | -15° - +50°C |

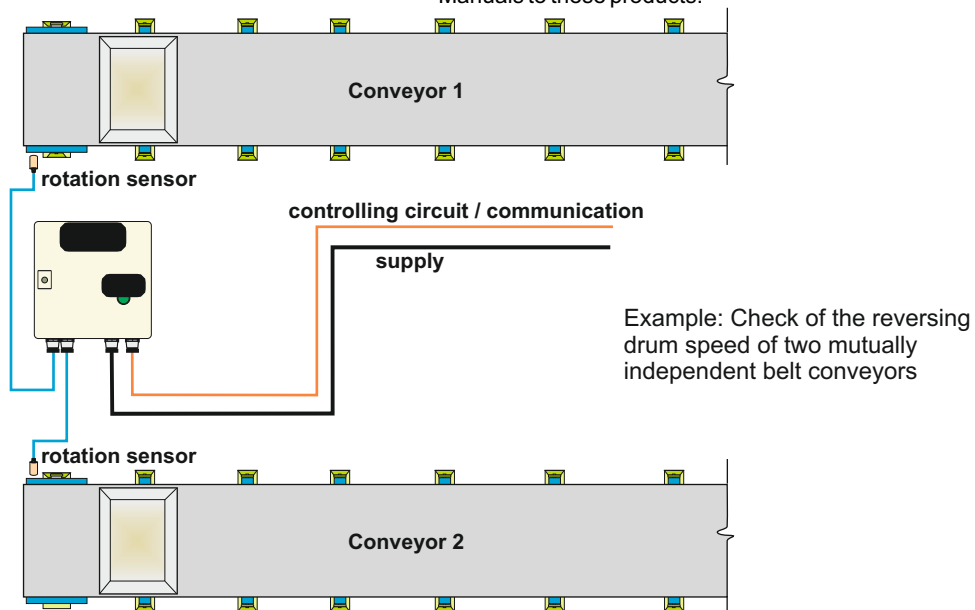
Equipment necessary for the system commencement

| | | |
|------------------|----------------|-------|
| Evaluation unit | VHR-10M_ _ _ * | 2 pcs |
| Signal amplifier | VHR-Z | 2 pcs |
| Rotation sensor | SHR-2 | 2 pcs |
| Magnet | MHR-2 or MHR-3 | 2 pcs |

* The type must be specified and marking added according to the User Manual.

The VHR-Z amplifier serves for processing the signal from SHR-2 only. There is a connecting terminal board for connecting the supply voltage, supply signals from sensors and the terminal board of output signals. The control cabinet is equipped with signalling of the voltage presence on the front door. H05V-K (CYA) conductors with the cross-section of 1.0 mm² are used for connecting the supply and with the cross-section of 1 mm² for other connections.

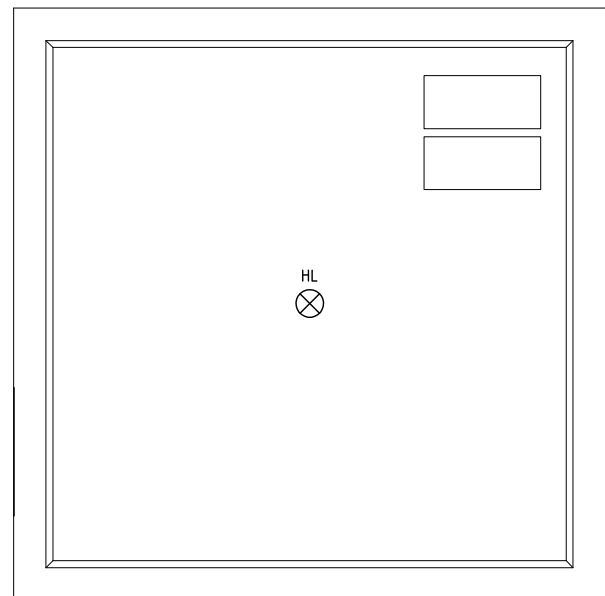
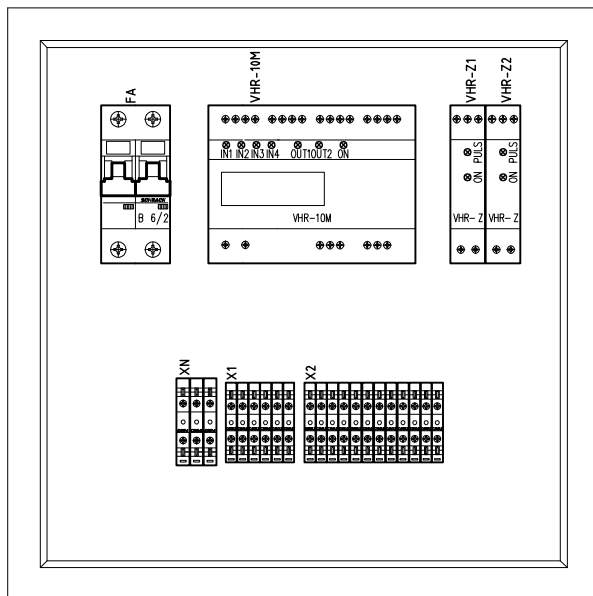
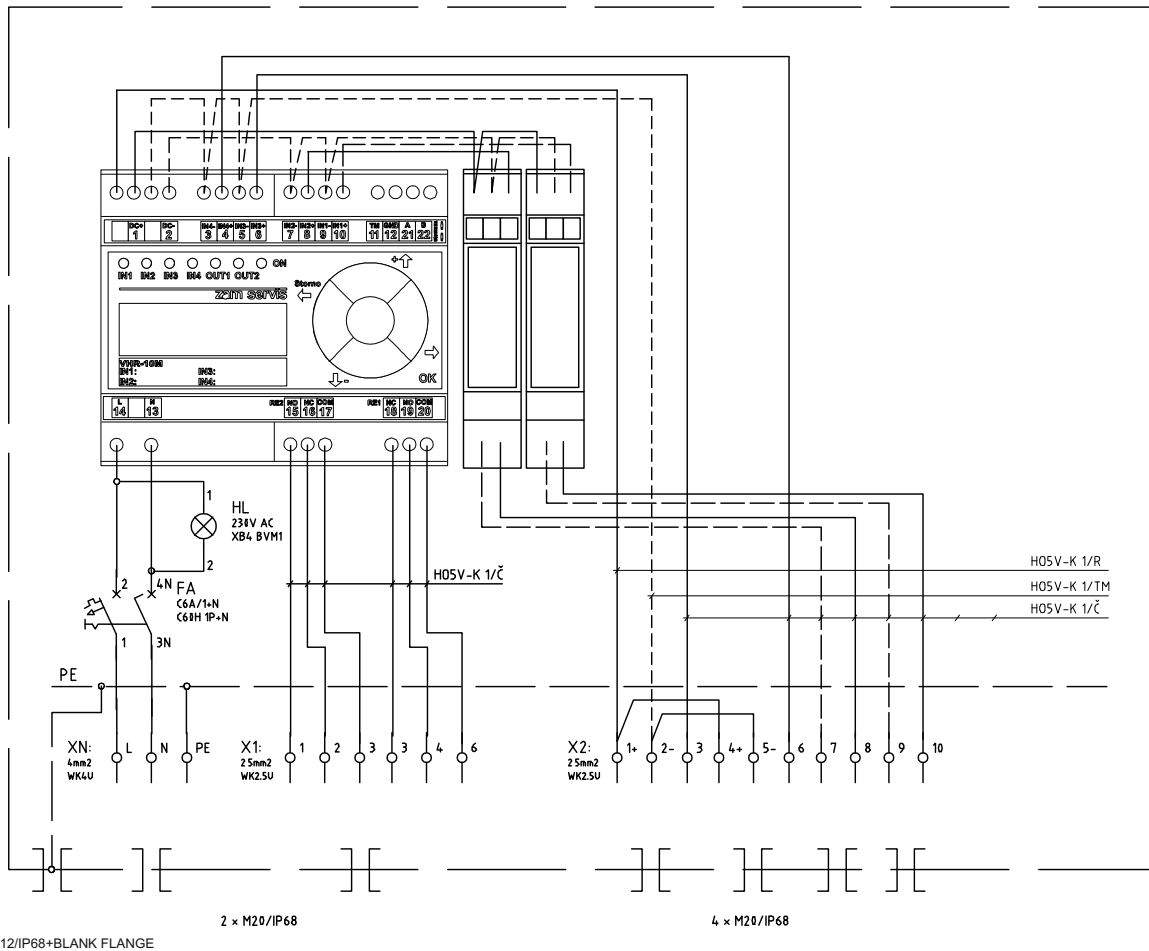
Technical parameters, possibilities for connections, programming and other information about the VHR-10M evaluation unit and VHR-Z amplifier can be found in the User Manuals to these products.



The catalogue has only those selected important parameters for your final decision. For project designs always ask for the user's guide for this product and any engineering consultation about possible uses.



Control Cabinet K1-VHR-10M-D



The catalogue has only those selected important parameters for your final decision. For project designs always ask for the user's guide for this product and any engineering consultation about possible uses.