



KS-03 - Camera System

Certificate: ATEX

Application:

The KS-03 camera system serves for monitoring the situation in devices with the explosion hazard and for transmitting the information to the surface via a telephone line.

Description:

The KS-03 camera system can be installed in two alternatives. The first one only contains a single camera connected via modems directly to a PC. The second alternative contains a system of cameras connected via modems and a switch or a router to a PC with the control server to which other computers connect.

The mine part consists of:

- ZSBE-M modem case. The device consists of an Ex d instrument area and an Ex e terminal block area. It is equipped with a modem which ensures communication for KR-03 and connection with the surface part of the system and the source for KR-03.
- A KR-03 stationary camera. The device is equipped with a high resolution camera with the communication via the Ethernet.

The surface part consists of:

- A modem on the surface for interconnecting with the mine part of the system.
- Manageable switch for interconnecting the cameras with the control PC server in the Ethernet network.
- PC GV-NVR server where SW is installed for processing and visualisation of information from the mine cameras, for distributing video signals and controlling the access of client PCs in the Ethernet network.
- A backup unit for storing data from video cameras for archiving and distribution to client PCs in the Ethernet network.



ZSBE-M



KR-03

Technical parameters of ZSBE-M:

Design	I M2 Ex de I
Nominal supply voltage	230VAC/50Hz
Power input	12VA
Nominal output voltage	12VDC
Nominal output current	350mA
Connected conductor cross-section	0.08 to 4mm ²
Protection	IP54
Temperature range	0°C to +40°C
Dimensions, incl. bushings	240 x 290 x 136mm
Relative humidity	95% max. non-condensing
Weight of the electrical equipment	1kg
Total weight	11kg

Technical parameters KR-03:

Design	I M2 Ex d I
Nominal supply voltage	12VDC
Power input	5VA
Connected conductor cross-section	0.5 to 2.5mm ²
Protection	IP54
Temperature range	0°C to +40°C
Dimensions, incl. bushings	φ130 x 335mm
Relative humidity	95% max. non-condensing
Weight of the electrical equipment	1kg
Total weight	11kg

Technical parameters of the modem + source on the surface:

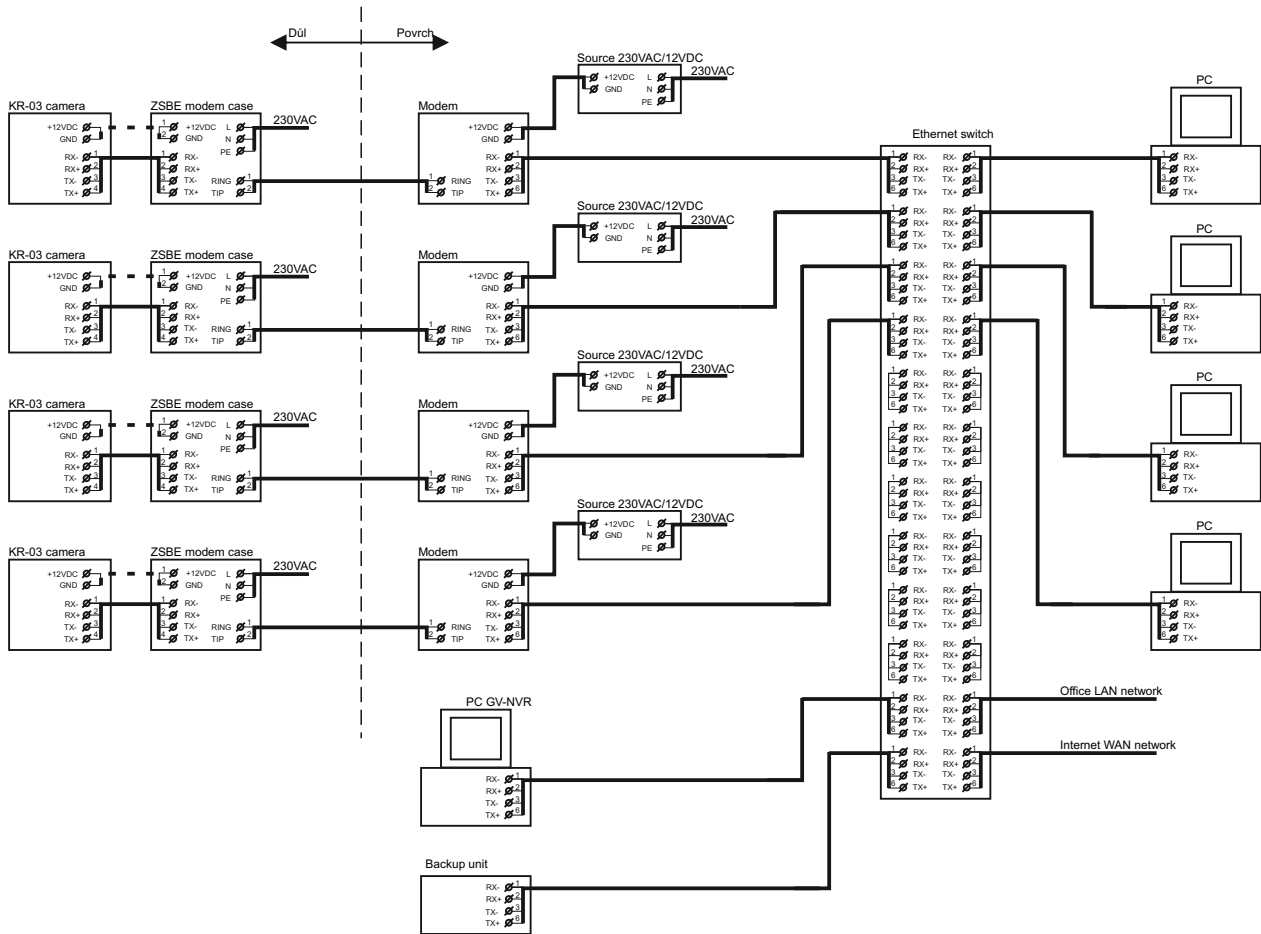
Design	RUA
Nominal supply voltage	230VAC/50Hz
Power input	5VA
Connected conductor cross-section	0.08 to 4mm ²
Protection	Ip30, according to the order
Temperature range	0°C to +40°C
Dimensions, incl. bushings	600 x 635 x 395mm
Relative humidity	95% max. non-condensing
Weight of the electrical equipment	0.5kg
Total weight	22kg

The catalogue has only those selected important parameters for your final decision. For project designs always ask for the user's guide for this product and any engineering consultation about possible uses.



KS-03 - Camera System

Block diagram of the KS-03 camera system



The catalogue has only those selected important parameters for your final decision. For project designs always ask for the user's guide for this product and any engineering consultation about possible uses.