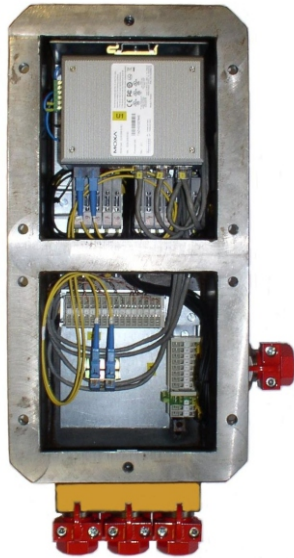




Data Optical Converter DOR-02-X

 Certificate: ATEX



DOR-02-01

Instrument and terminal block area

Application:

The data optical converter is used for converting a distance signal to the Ethernet signal for distance transmission by an optical cable. The data optical converter is intended for the use in the underground and surface mines with a higher methane explosion hazard.

Description:

The data optical converter is produced in five models which differ in input signals. The non-explosive case consists of a solid closure in the Ex d design and a terminal block part in the Ex d or Ex op is design.

In the instrument part there is electronics with power supply.

The terminal block part is divided to two parts. In the first one with the Ex op is design there is a panel for connecting an optical cable. In the second part in the Ex d or Ex ia design there is the terminal block for connecting data signals and power supply.

Model DOR-02-01

Input 10/100Base T Ethernet signals from the process supplied via a metallic cable are led to the switch and converted into the 100Base FX optical signal for distance transmission via an optical cable. The connected devices can be supplied by the brought-out supply voltage of 12VDC. The case primarily serves for connecting and supplying stationary cameras.

Models DOR-02-02,3,4

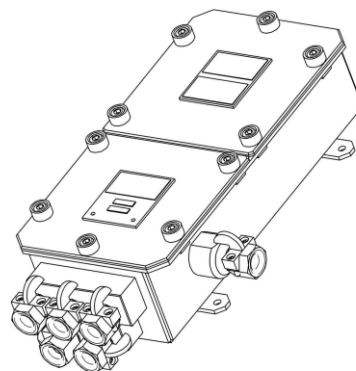
These three models serve for the conversion of the RS485/232 series line to the Ethernet 10/100BaseFX optical signal for distance transmission by an optical cable (a virtual port). This converted has its own IP address and can be set via a connected PC.

Model DOR-02-05

The input signal of the double-wire SHDSL line is converted the 100BaseFX optical signal for distance transmission by an optical cable.

Technical Specifications:

Design	
DOR-02-01	1 M2 Ex d op is 1 Mb
DOR-02-02	1 M2 Ex d [ia Ma] op is 1 Mb
DOR-02-03	1 M2 Ex d op is 1 Mb
DOR-02-04	1 M2 Ex d op is 1 Mb
DOR-02-05	1 M2 Ex d op is 1 Mb
Supply voltage	230VAC 50Hz IT
Power input	35 VA max
Inputs	
DOR-02-01	4 x Ethernet 10/100TBase
DOR-02-02	1 x RS-485 IS
DOR-02-03	1 x RS-485
DOR-02-04	1 x RS-232
DOR-02-05	1 x SHDSL linka
Bushings	Nv32 cable ϕ 8-18mm
Connected conductor cross-section	0.5 to 2.5mm ²
Optical connection	2x fibre 9/125 SM connektor SC 100BaseFX 1310nm
Temperature range	0 to +40°C
Relative humidity	95% non-condensing
Protection	IP54
Dimensions, incl. bushings	225 x 485 x 138mm
Weight	15.5kg max



Overall appearance of DOR-02-X

The optical connecting cable is led to the terminal block area via a standard non-explosive bushing. The optical connection is made by SC connectors as standard. Upon request, the optical connection can be made of ST and E2000/APC connectors.

The catalogue has only those selected important parameters for your final decision. For project designs always ask for the user's guide for this product and any engineering consultation about possible uses.